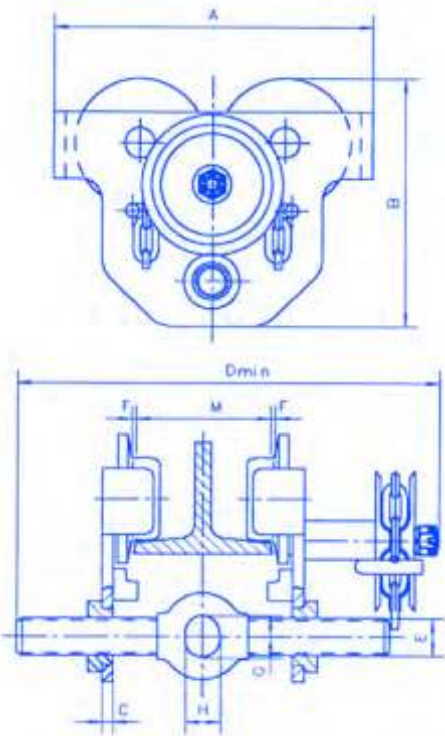


## Push Travel (Girder) Trolleys, Tested & Certified

SWL	500kgs	1 tonne	2 tonne	3 tonne	5 tonne
Min. Radius Curve in Mtrs	0.9	1.0	1.2	1.3	1.4
A mm	225	252	300	360	400
D mm	224	283	293	307	312
B mm	177	188	226	290	313
C mm	8	10	12	14	16
H mm	25	30	40	48	60
E mm	27	30	38	45	52
Adjustable Beam Width mm	50-220	50-220	66-220	74-220	90-220
Weight Each Kgs	8.5	10.5	18	32	48.5



## Geared Type (Girder) Travel Trolleys, Tested & Certified

SWL	500kgs	1 tonne	2 tonne	3 tonne	5 tonne
Min. Radius Curve in Mtrs	0.9	1.0	1.2	1.3	1.4
Std. Height of Lift in Mtrs	3	3	3	3	3
A mm	225	252	300	360	400
D mm	224	283	293	307	312
B mm	177	188	226	290	313
C mm	8	10	12	14	16
H mm	25	30	40	48	60
E mm	27	30	38	45	52
Adjustable Beam Width mm	50-220	50-220	66-220	74-220	90-220
Weight Each Kgs	9	12.6	18.5	28	45

**NEVER EXCEED MAXIMUM CAPACITY  
LONGER HAND CHAINS ON REQUEST**