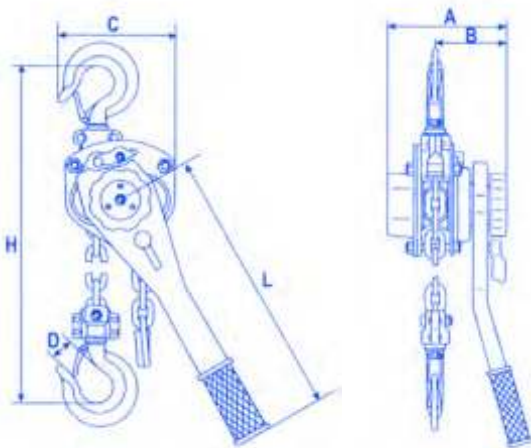


250/500 Kgs

SWL	250kg	500kg
Standard Height of Lift	1.5mtr	1.5mtr
Load Chain Dia mm	4	5
No. of Falls	1	1
Effort for Max. Load N	250	340
Weight Kgs	1.8	4
A mm	92	110
B mm	72	80
C mm	85	95
D mm	30	30
H mm min.	230	160
L mm	160	300



750 / 1500 / 3000 Kg

SWL	750kgs	1.5 tonne	3 tonne	6 tonne	9 tonne
Standard Height of Lift	1.5mtr	1.5mtr	1.5mtr	1.5mtr	1.5mtr
No. of Falls	1	1	1	2	3
Effort req. to lift max. load N	140	220	320	340	360
Weight Kgs	7.5	11.5	21	31.5	47
Load Chain dimensions mm	6x18	8x24	10x30	10x30	10x30
A mm	155	180	215	215	200
B mm	95	105	130	130	115
C mm	135	155	200	200	320
L mm	285	370	420	420	410
D mm	30	36	40	50	58
H mm	320	380	480	600	700

**NEVER EXCEED MAXIMUM CAPACITY
LONGER HEIGHTS OF LIFT AVAILABLE ON REQUEST**