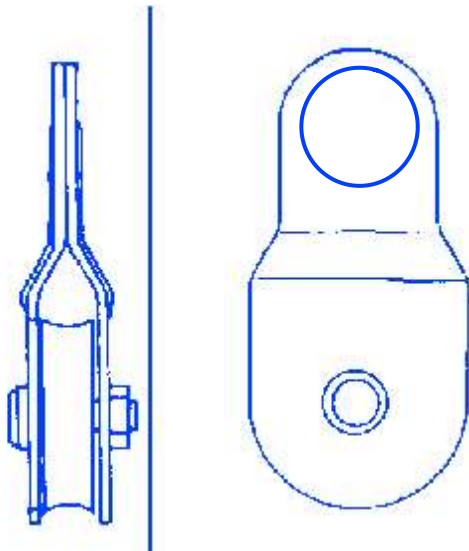


**Painted Gin Blocks Swivel Round Eye
(Tested)**

Dia	10"
SWL kgs	250
Proof Load kgs	1000
Weight Kgs/each	4.00

**Swing Block (Untested) – to
suit a 50mm dia towbar**



	Sheave Size
	4"
Dia mm	100
Recommended WLL Lifting Kgs	3400
Recommended WLL Hauling Kgs	9100
Weight Kgs/each	1.5

NEVER EXCEED MAXIMUM CAPACITY