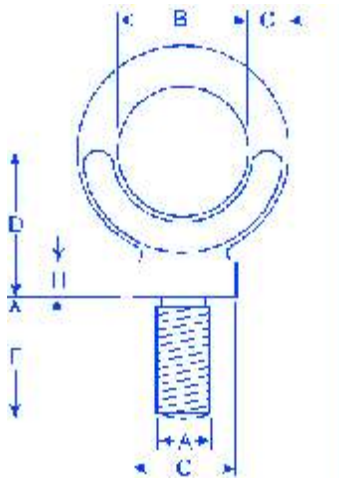


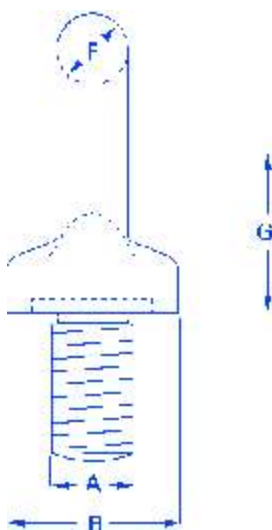
Dynamo Eyebolts Whitworth Thread Tested & Certified



Dynamo Eyebolts

Vertical SWL Tons	0.10	0.15	0.25	0.50	0.80	1.20	2.20	3.50
A inches	1/4	5/16	3/8	1/2	5/8	3/4	1	1 1/4
B inches	7/8	7/8	7/8	1 1/16	1 1/4	1 9/16	2	2 3/8
C inches	3/8	3/8	3/8	7/16	1/2	11/16	13/16	1
D inches	1 1/16	1 1/16	1 1/16	1 3/8	1 5/8	2 1/8	2 7/16	2 7/8
E inches	3/4	3/4	3/4	1	1 1/8	1 1/4	1 13/16	2 1/16
G inches	3/4	3/4	3/4	1	1 1/8	1 7/16	1 5/8	2 1/8
H inches	1/4	1/4	1/4	5/16	3/8	1/2	1/2	3/4
Weight Kgs/each	0.08	0.09	0.09	0.14	0.24	0.43	0.88	1.70

Dynamo Eyebolts Metric Thread Tested & Certified



Collared Eyebolts

Vertical SWL Tons	0.10	0.15	0.25	0.32	0.63	1.25	2.00	3.20
A mm	6	8	10	12	16	20	24	30
B mm	22	22	22	22	29	40	51	64
C mm	9	9	9	9	11	15	19	24
D mm	27	27	27	27	34	47	60	76
E mm	18	18	18	18	23	32	40	51
G mm	17	17	17	17	23	32	40	51
H mm	5	5	5	5	6	9	12	14
Weight Kgs/each	0.07	0.07	0.07	0.07	0.14	0.40	0.80	1.72