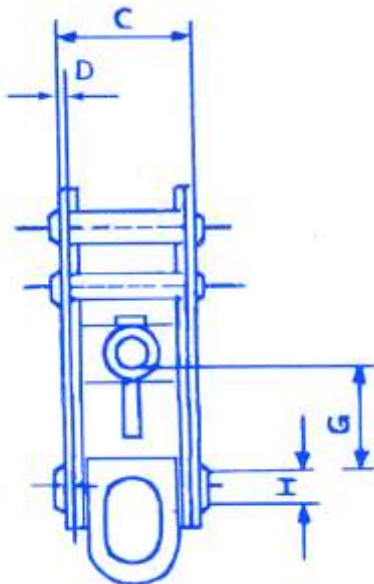
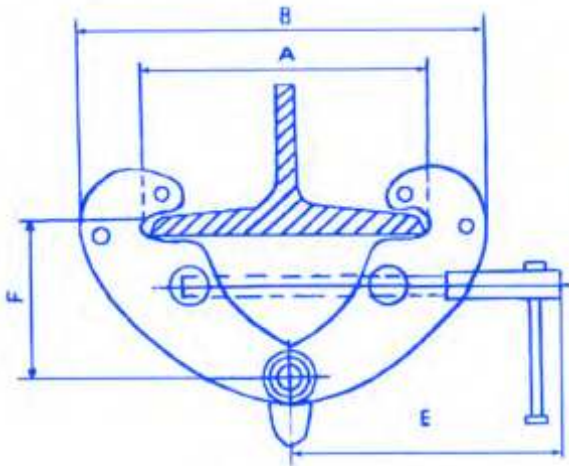


**Adjustable Beam Clamps, Tested & Certified**



SWL	1 tonne	2 tonne	3 tonne	5 tonne	10 tonne
Adj. Beam Width	70-245	70-245	70-355	70-355	80-350
A max mm	270	270	365	365	365
B min mm	183	183	240	240	260
B max mm	375	375	520	520	520
C mm	66	74	103	111	180
D mm	4	6	8	10	12
E mm	210	210	258	258	280
F Closed mm	165	165	225	225	230
F Open mm	102	102	135	135	160
G min mm	25	25	45	45	50
H mm	20	20	22	28	38
Weight Kgs/each	4.4	5.1	10.5	17	19